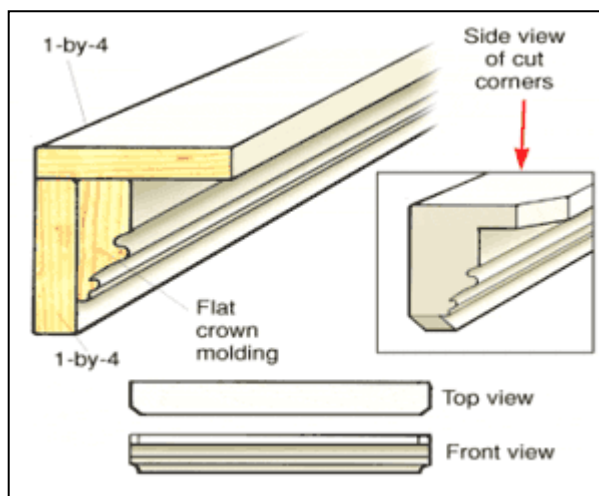




Home Tips

Easy Display Shelves

Here's an easy way to make classy-looking display shelves. Just buy ordinary pine 1x4's and flat crown molding. Glue and nail together as shown, then cut shelves to any length you want. Clip the corners as shown, sand, then paint to suit. These handsome shelves take little effort—and they make great gifts.



Radon: Elevation Home Inspections is certified in radon testing. For Home Buyer's and Seller's Guide to Radon log on to: <http://www.epa.gov/radon/pubs/hmbyguid.html>.

Insurance: Elevation Home Inspections is fully insured.

Electronic Key: We have an Electronic key to make access to the property easier on you and your clients.

ABOUT YOUR INSPECTOR

I strive to provide excellent customer service and professionalism before, during and after each inspection. This includes my demeanor at the inspection site, method for presenting reports, and a policy of timeliness and courtesy in my response to all customer inquiries.

Although not required in the state of Colorado, I have taken and completed formal home inspection training through Inspection Training Associates that meets, or exceeds, industry standards. I have also taken and passed the National Home Inspectors Exam which is required in other states for licensing.

With a B.S. in Engineering Technology, I have accumulated over 10 years experience in engineering related fields. My experience includes electricity, plumbing, air conditioning, and a variety of other systems. I also have experience in diagnostics, which involves investigating, analyzing, and problem solving for various components and systems.

If you would like anymore information please contact me or log on to <http://www.elevationhomeinspections.com/>. I would be happy to provide you with whatever information you need in order to choose the right home inspector for your needs.

ABOUT THE REPORT

Elevation Home Inspections, Inc. is proud to provide the highest quality reporting system available. The report is delivered in PDF format and includes digital photos. They are easily accessed off my website or can be e-mailed. The report is easy to understand and will be available within 24 hours of the inspection. Also, if desired, a printed copy can be provided.

Your Inspector

James Taylor
Edwards, CO 81632

James Taylor

Call to schedule your inspection or conveniently order your inspections on-line. Available 7 days a week.

Phone: **970-926-6489**

Online:



Certified Radon Testing

<http://www.elevationhomeinspections.com/>

E-mail: jim@elevationhomeinspections.com

If you do not wish to receive any more email from us or to update your subscription please [click here](#).